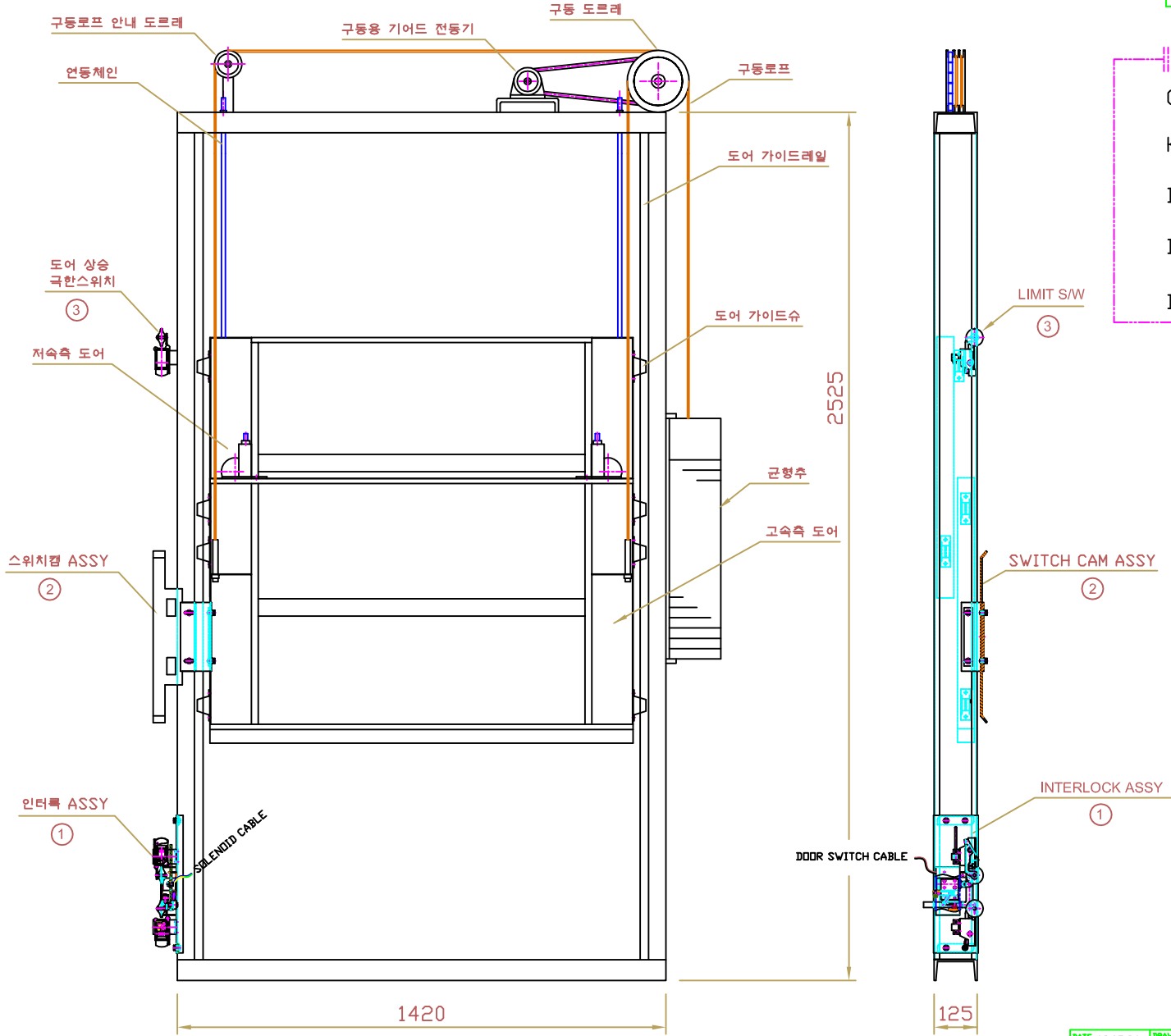
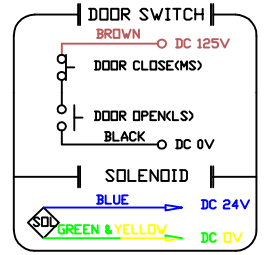


No.	DESCRIPTION	SPECIFICATION	Q'TY	MAT'L	REMARKS
	MAIN ASSY for INSTALLATION	-	1		



동작 (AS DISPLAYED ABOVE)  
 CAR STOP AT TARGET STORY  
 KEEPER UNLOCKED BY SOLENOID  
 DOOR SWITCH(MICRO + LIMIT) OFF  
 DOOR UPWARD  
 DOOR OPEN



[ SPEC. 1 ]

	DOOR SWITCH	SOLENOID
정격전압	DC125V	DC24V
정격전류	DC1A	DC0.9A

[ SPEC. 2 ]

	DOOR SWITCH
정밀 동작거리	8 mm

3	DI-107-070	LIMIT SWITCH	별도구입
2	DI-107-052	SWITCH CAM ASSY	
1	DI-107-051	INTERLOCK ASSY	
NO.	DWG NO.	PART NAME	REMARKS

DATE	08.05.26	DRAWING NO.	DI-107-050	PROJECT	LANDING DOOR LOCKING DEVICE FOR E/L01-107
TRIGONOMETRY		DRAWING BY	DESIGN BY	CHECKED BY (date)	CHECKED BY (date)
UNIT		YOUNG.S.N.BYUN	K.J.LEE	Y.H.KIM	S.Y.CHI
SCALE	1 / 1	NAME OF ARTICLE			
		MAIN ASSY for INSTALLATION			

NO.	DESCRIPTION OF CHANGE	DATE	DRAWING	APPROVED