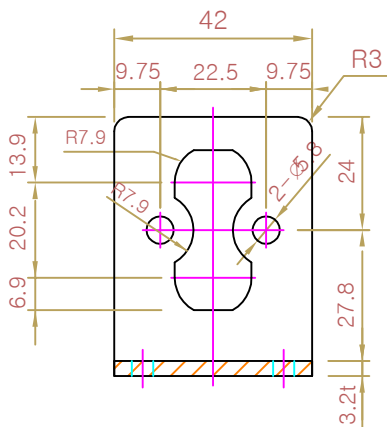
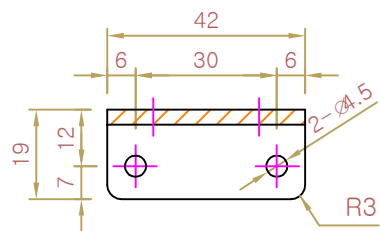
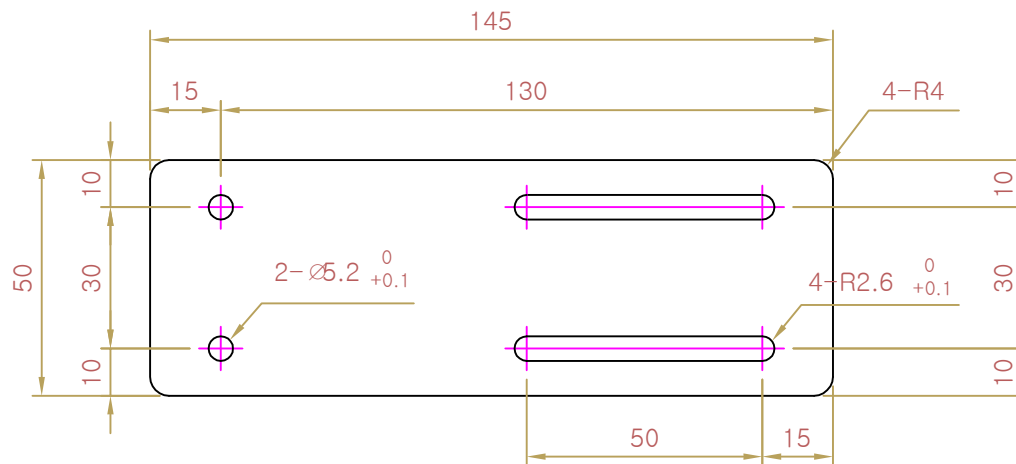
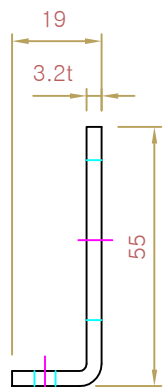




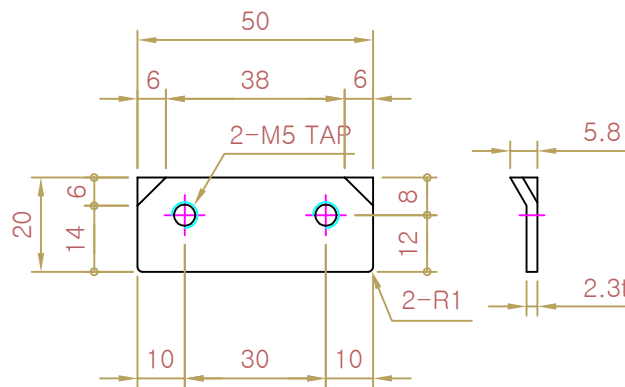
NO.	DESCRIPTION	MAT'L	DWG. No.	Q'TY	SIZE	REMARK
	BRACKET LARGE for C150					
1	BRACKET-1			1	3.2t	
2	BRACKET-2			1	3.2t	
3	BRACKET-3			1	2.3t	
3	BRACKET-4			1	2.3t	



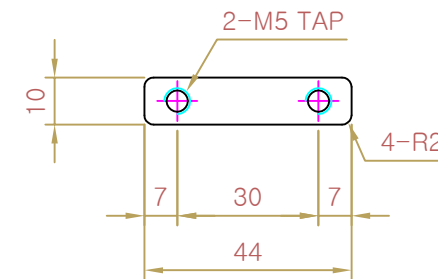
BRACKET - ①



BRACKET - ②



BRACKET - ③



BRACKET - ④

NOTE

- 천연 아연도금 (②는 백색아연도금)
- 모든 모서리는 R3 작업할 것

<p>(주) 동인상권 DONG IN INDUSTRIAL CO., LTD.</p>	TYPE				PROJECT		
	DI - 101				LIMIT SWITCH		
	SCALE		DATE		DWG. NAME		
	1 / 1		2015. 01. 03		BRACKET SMALL&MIDDLE		
DRAWN BY		DESIGNED		CHECKED BY		APPROVED BY	
MODEL NAME						DI - 101 - 058	A3