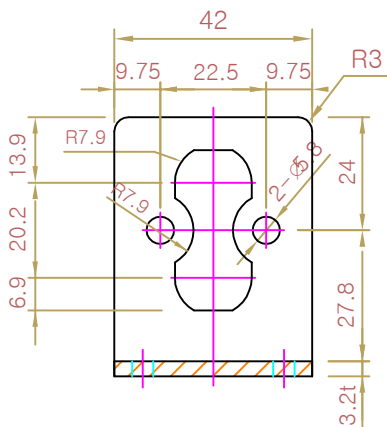
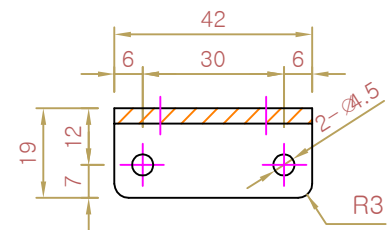
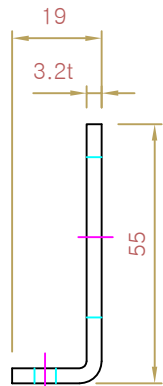




NO.	DESCRIPTION	MAT'L	DWG. No.	Q'TY	SIZE	REMARK
	BRACKET LARGE for C125					
1	BRACKET-1			1	3.2t	
2	BRACKET-2			1	3.2t	
3	BRACKET-3			1	2.3t	
3	BRACKET-4			1	2.3t	

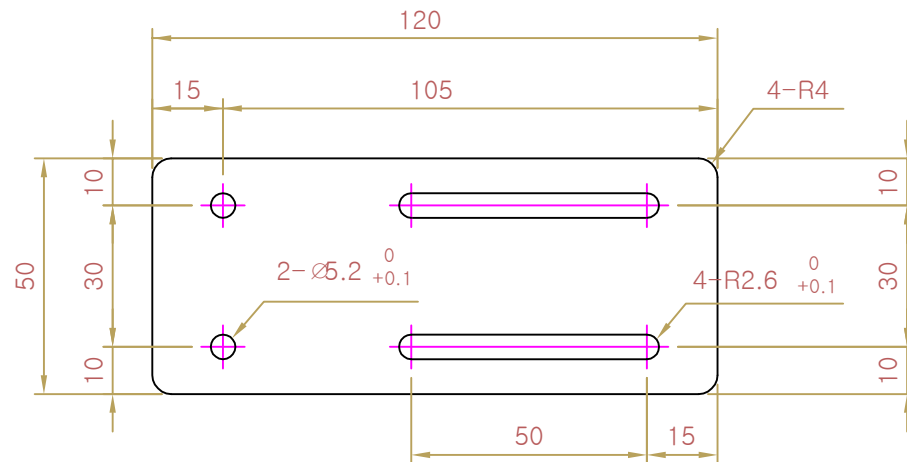


BRACKET - ①

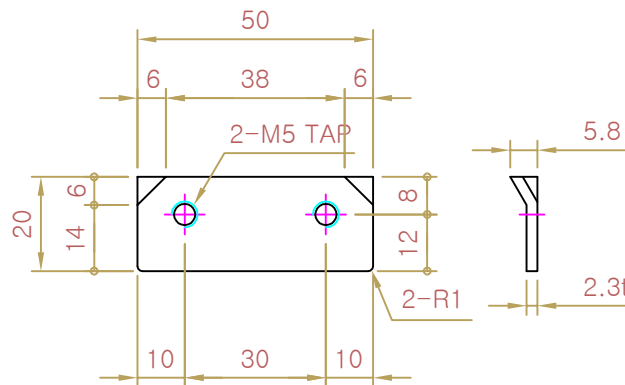


NOTE

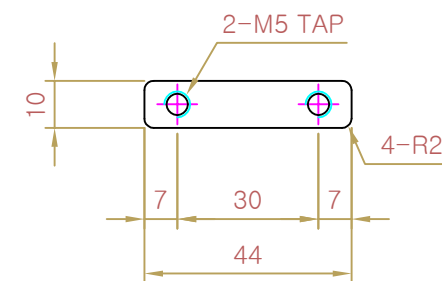
- 천연 아연도금
- 모든 모서리는 R3 작업할 것



BRACKET - ②



BRACKET - ③



BRACKET - ④

<p>(주) 동인상권 DONG IN INDUSTRIAL CO., LTD.</p>	TYPE		DI - 101		PROJECT		LIMIT SWITCH		
	SCALE		1 / 1		DATE		2015. 01. 02		
	DRAWN BY		DESIGNED		CHECKED BY		REVIEWED BY		
	APPROVED BY		APPROVED BY		DWG. NO.		DI - 101 - 057		
MODEL NAME						SHEET		A3	