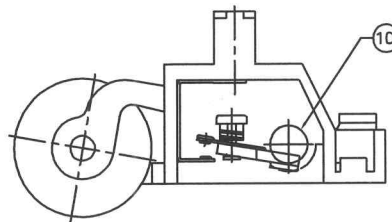
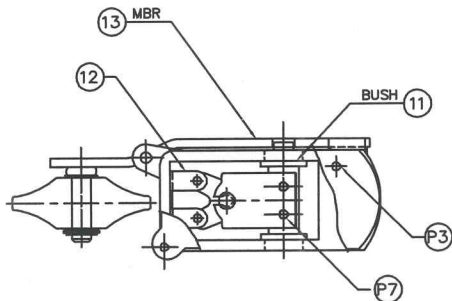


점점이 붙을때



점점이 떨어질때

NOTE

1. 본도면은 B점점 기준임. A 점점은 반대 동작 함.

NO.	DESCRIPTION	MAT'L	DWG. No.	QTY	SIZE	REMARK
1	BODY		DI-SWI-01	1		
2	BODY COVER		DI-SWI-02	1		
3	CAP		DI-SWI-03	1		
4	ROLLER BODY		DI-SWI-04	1		
5	ROLLER		DI-SWI-05	1		
6	ROLLER SHAFT		DI-SWI-06	1		
7	FINGER-1		DI-SWI-07	1		
8	HEART CONTACT		DI-SWI-08	1		
9	FINGER PIN		DI-SWI-09	1		
10	가동단자 축		DI-SWI-10	1		
11	BUSH		DI-SWI-11	2		
12	고정단자		DI-SWI-12	2		
13	ARM		DI-SWI-13	1		
14	FINGER SPRING		DI-SWI-14	1		
15	MAIN SPRING		DI-SWI-15	1		
16	GAP WASHER		DI-SWI-16	1		
17	BUMPER			1		
P1	WASHER	황동		1	0.75txø12.8xø7	
P2	E RING			1	ø5	
P3	TAPPING SCREW			2	W ⊕ T2 3 x 10	
P4	냄비 SCREW, P/W,S/W	(SAMS)		2	M5x0.8x14	
P5	BLIND SCREW,P/W,S/W	(SAMS)		2	BTM3.5x8	
P6	평 BOLT			1	4 x 9	
P7	SCREW			2	W ⊕ T1 3 x 16	

<p>(주) 동인산업 DONG IN INDUSTRIAL CO., LTD.</p>	TYPE		PROJECT	
	SCALE 1 / 1		LIMIT SWITCH	
	DATE 2000. 11.		DWC. NAME LAYOUT	
DRAWN BY	DESIGNED BY	CHECKED BY	REVIEWED BY	APPROVED BY
DWC. NO.				SECRET
DI-SWI-00				A1