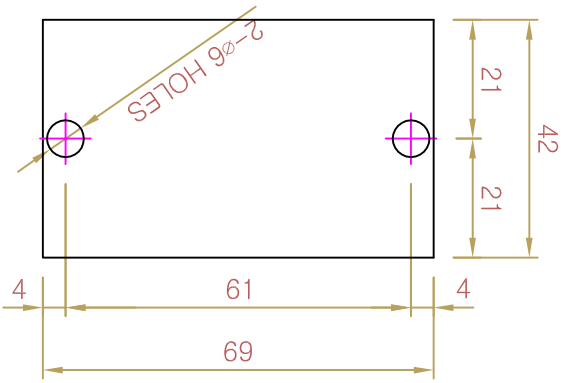
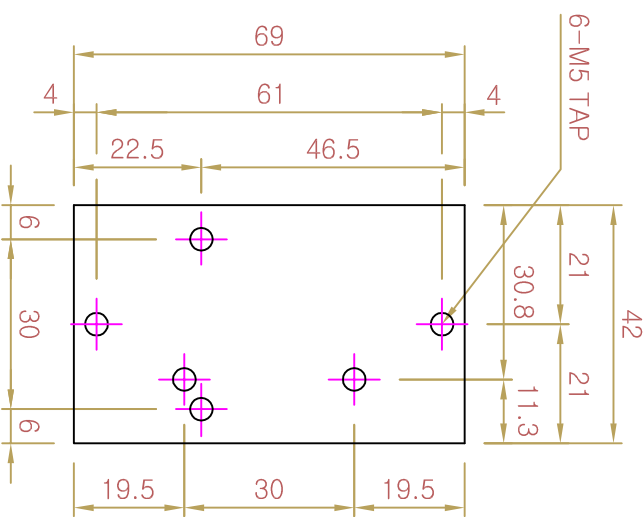
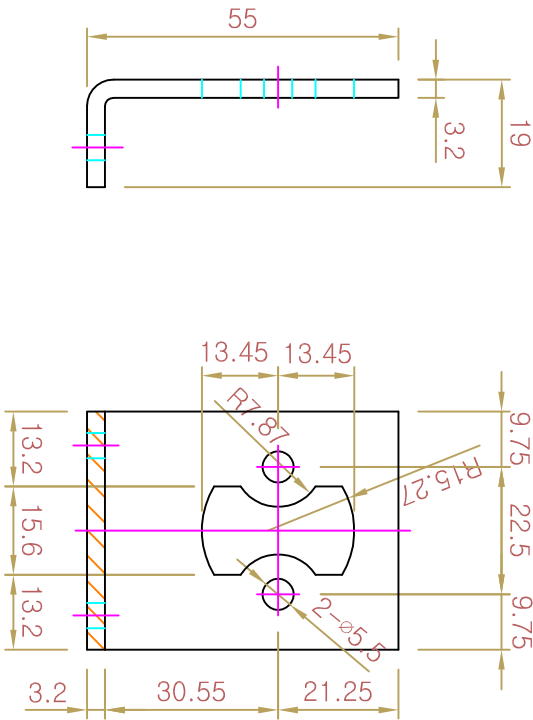
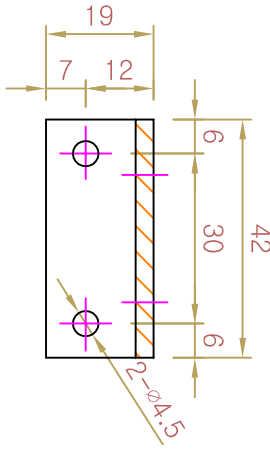




NO.	DESCRIPTION	MAT'L	DWG. No.	Q'TY	SIZE	REMARK
	BRACKET SMALL&MIDDLE					
1	BRACKET-1			1	3.2t	
2	BRACKET-2			1	3.2t	
3	BRACKET-3			1	2.3t	



DETAIL - ①

DETAIL - ②

DETAIL - ③

NOTE

1. 전원 아연도금

<p>(주) 동인산업 DONG IN INDUSTRIAL CO., LTD.</p>		<p>TYPE DI - 101</p>		<p>PRODUCT LIMIT SWITCH</p>	
SCALE	1 / 1	DATE	2008. 04. 02	DRG. NAME	BRACKET SMALL&MIDDLE
ANALY. BY	DESIGNED	CHECKED BY	APPROVED BY	DRG. NO.	DI - 101 - 050
NO. 9.A.M.C.					AS3